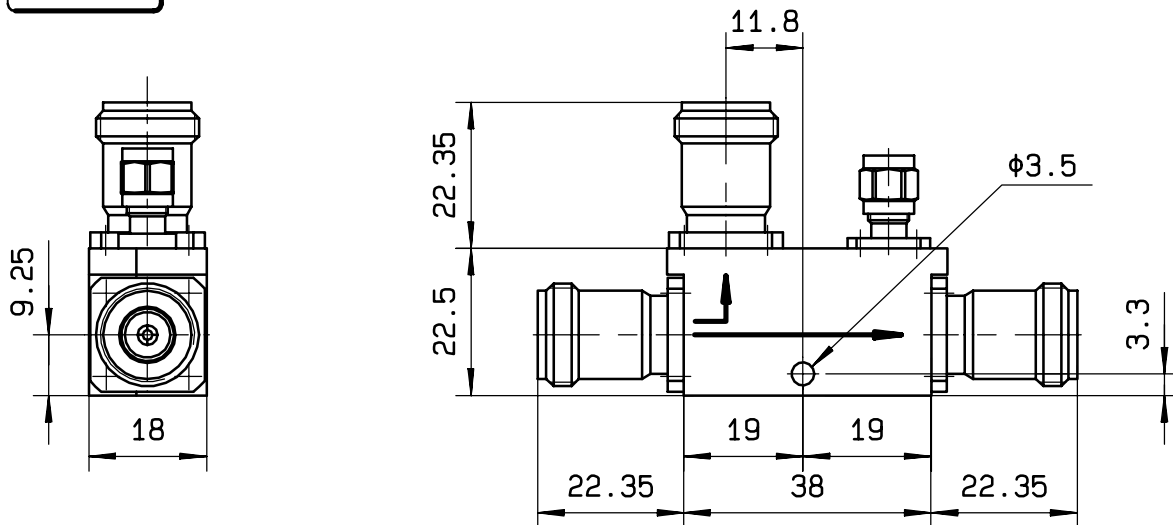




DRAWING



R F CHARACTERISTICS

General tolerances: +/- 0.5 mm

FREQUENCY RANGE	:	3.7 - 8.3 GHz
IMPEDANCE	:	50 Ohms
COUPLING	:	10 dB ± 0.5 dB
FREQUENCY SENSITIVITY	:	± 0.3 dB
DIRECTIVITY	:	>= 18 dB
INSERTION LOSS	:	<= 1 dB
V.S.W.R	- Main line	<= 1.30
	- Coupled line	<= 1.30
AVERAGE POWER at 25°C	:	50 W
PEAK POWER at 25°C (1µs,1%*)	:	3 kW

MECHANICAL CHARACTERISTICS

CONNECTORS	:	N female per MIL-C 39012
COAXIAL TERMINATION	:	50 Ohms, 1 W
WEIGHT	:	< 125 g

ENVIRONMENTAL CHARACTERISTICS

OPERATING TEMPERATURE RANGE	(°C)	:	-25 , +85
STORAGE TEMPERATURE RANGE	(°C)	:	-40 , +100

This information is given as an indication. In the continual goal to improve our products, we reserve the right to make any modifications judged necessary

4112-9212

CREATION				
N° :				
PEN/EP:CAT				
Name:PG				
Date:29. jul. 94				
APP.:VE				
ISSUE	REVISIONS	NAME	APPR.	

RADIALL®
 101. rue P. Hoffmann -Z.I Ouest-
 93116 ROSNY/BOIS Cedex-FRANCE
 Phone:33(1)49353535
 Fax :33(1)48546363
 Twx RADIA 235220F